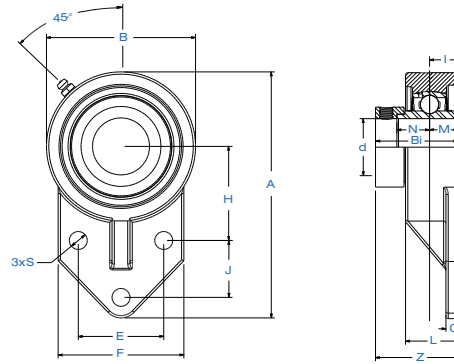


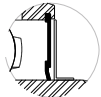


SNCSFBM 200

Normal-Duty 3-Bolt Flange Bracket
Eccentric Lock



Seal
Styles



Standard Seal
with Flinger



Triple-Lip
L3 Seal

Bearing Number	Shaft Dia.	Dimensions in. mm.														Bolt Used	Load Rating lbs. kN.		Bearing Insert	Housing Number	Wt. lbs. kg.	
	d in. mm.	A	H	E	J	I	G	L	S	B	F	Z	Bi	N	M		in. mm.	Dynamic Cr				Static Cor
SNCSFBM 201-8	1/2																			SNC 201-8	SFBM 204	1.3 0.6
SNCSFBM 202-10	5/8	4.25	1.70	1.50	0.87	0.63	0.31	1.00	0.39	2.50	2.38	1.67	1.5472	0.5000	0.6732	5/16	2,331	1,142	SNC 202-10			
SNCSFBM 204-12	3/4	108.0	43.3	38.1	22.0	15.9	8.0	25.4	10.0	63.5	60.0	42.5	39.3	12.7	17.1	M8	10.37	5.08	SNC 204-12			
SNCSFBM 204	20																		SNC 204			
SNCSFBM 205-14	7/8																			SNC 205-14	SFBM 205	1.5 0.7
SNCSFBM 205-15	15/16	4.75	1.81	1.63	1.13	0.66	0.39	1.13	0.39	2.75	2.50	1.72	1.6220	0.5630	0.6850	5/16	2,542	1,349	SNC 205-15			
SNCSFBM 205	25	121.0	46.0	41.3	28.5	16.7	10.0	28.5	10.0	70.0	63.0	43.6	41.2	14.3	17.4	M8	11.31	6.00	SNC 205			
SNCSFBM 205-16	1																		SNC 205-16			
SNCSFBM 206-17	1 1/16																			SNC 206-17	SFBM 206	2.0 0.9
SNCSFBM 206-18	1 1/8																		SNC 206-18			
SNCSFBM 206	30	5.38	2.06	1.88	1.25	0.73	0.39	1.25	0.39	3.25	2.75	1.92	1.8110	0.6260	0.7165	5/16	3,554	1,942	SNC 206			
SNCSFBM 206-19	1 3/16	136.0	52.4	47.6	31.7	18.6	10.0	32.0	10.0	82.0	69.5	48.7	46.0	15.9	18.2	M8	15.81	8.64	SNC 206-19			
SNCSFBM 206-20	1 1/4																		SNC 206-20			
SNCSFBM 207-20	1 1/4																			SNC 207-20	SFBM 207	3.1 1.4
SNCSFBM 207-21	1 5/16																		SNC 207-21			
SNCSFBM 207-22	1 3/8	6.13	2.38	2.00	1.25	0.83	0.53	1.44	0.51	3.75	3.25	2.10	1.9606	0.6890	0.7402	7/16	4,683	2,626	SNC 207-22			
SNCSFBM 207	35	156.0	60.3	50.8	31.7	21.0	13.5	36.5	13.0	95.0	82.5	53.3	49.8	17.5	18.8	M10	20.83	11.68	SNC 207			
SNCSFBM 207-23	1 7/16																		SNC 207-23			
SNCSFBM 208-24	1 1/2																			SNC 208-24	SFBM 208	4.2 1.9
SNCSFBM 208-25	1 9/16	6.44	2.38	1.97	1.63	0.83	0.69	1.41	0.47	3.94	3.06	2.20	2.1220	0.7480	0.8425	3/8	5,294	3,057	SNC 208-24			
SNCSFBM 208	40	164.0	60.3	50.0	41.3	21.0	17.0	35.7	12.0	100.0	78.0	55.9	53.9	19.0	21.4	M10	23.55	13.60	SNC 208-25			
SNCSFBM 209-26	1 5/8																			SNC 209-26	SFBM 209	4.6 2.1
SNCSFBM 209-27	1 11/16	6.88	2.56	2.13	1.69	0.86	0.75	1.38	0.47	4.19	3.16	2.23	2.1220	0.7480	0.8425	3/8	5,923	3,507	SNC 209-26			
SNCSFBM 209-28	1 3/4	174.0	65.0	54.0	42.9	21.8	18.5	35.7	12.0	106.0	80.0	56.7	53.9	19.0	21.4	M10	26.35	15.60	SNC 209-27			
SNCSFBM 209	45																		SNC 209-28			
SNCSFBM 210-30	1 7/8																			SNC 209	SFBM 210	5.5 2.5
SNCSFBM 210-31	1 15/16	7.50	2.94	2.75	1.63	0.86	0.56	1.50	0.52	4.66	4.00	2.36	2.2480	0.7480	0.9685	7/16	6,402	4,046	SNC 210-30			
SNCSFBM 210	50	191.0	74.6	70.0	41.3	21.8	14.0	38.0	13.0	118.0	102.0	59.9	57.1	19.0	24.6	M10	28.48	18.00	SNC 210-31			
SNCSFBM 210-32	2																		SNC 210			

MARINER®